

## ALTERNATORS

# A45 L

Permanent magnet alternator  
13.5 V - 22 A

### Description

A lightweight permanent magnet alternator for formula1 and top motorcycle applications.

Rare earth magnets and aircraft quality stator laminations allow maximum output with minimum size.

Machined housing and military grade stator winding allow maximum reliability even at temperatures above 100 °C.

Contact factory for suitable voltage regulators and for higher output current.



### Main Features

- 22 A output
- 19000 rpm max speed
- Clockwise and counterclockwise rotation
- 750 g weight

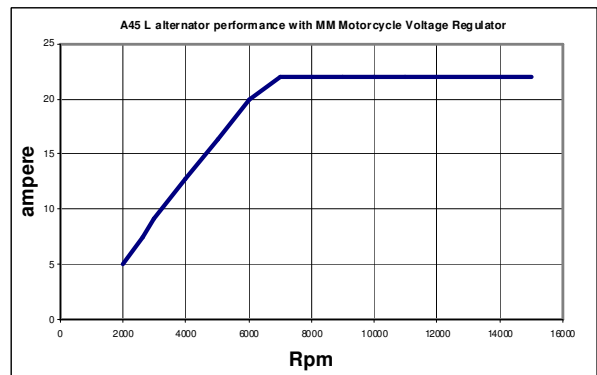
### Benefits

- High output to weight ratio
- High resistance to vibrations
- No electronics on alternator

### Typical Applications

- MotoGP
- Race motorcycle application

### Typical Performance

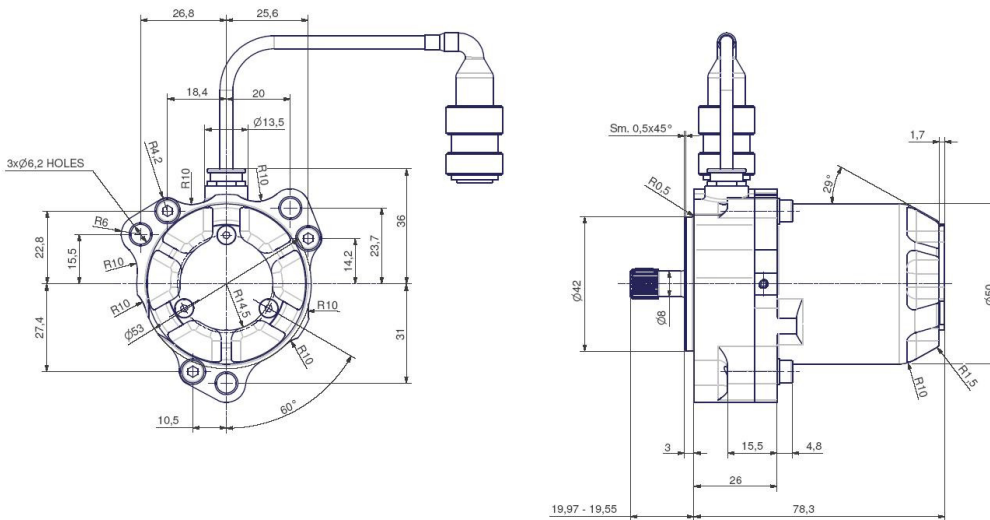


# ALTERNATORS

## A45 L

Permanent magnet alternator  
13.5 V - 22 A

### Dimensions



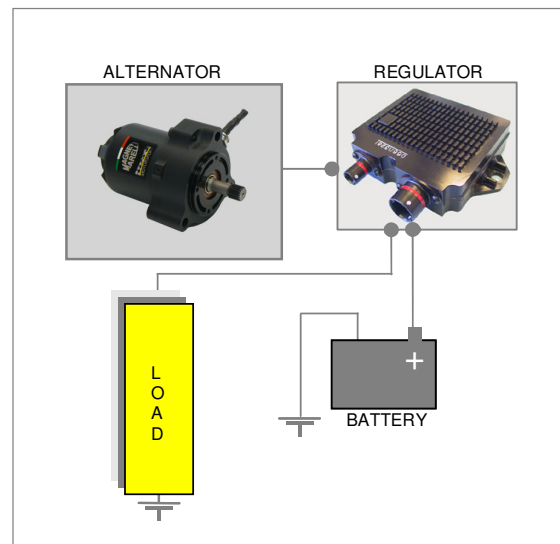
Dimensions in millimetres

### Technical Characteristics

Cut in speed .....	2000	rpm
Maximum alternator speed .....	19000	rpm
Rotation.....	Clockwise or counterclockwise	
Operating temperature max.		
copper .....	200	°C
bearings .....	150	°C
Regulated voltage .....	13.5	V
Connector Type (*) .....	AS6.08-98SN	
Cable length (*) .....	500	mm
Weight (approx.).....	750	g

(\*) Different cable length and connector type are available on customer request

### Application Schematics



For further information, please contact:



**Magneti Marelli S.p.A.**  
Motorsport  
Viale Aldo Borletti, 61/63  
20011 Corbetta (Milano) Italy

Tel. +39 02 972 27 478  
Fax +39 02 972 27 570  
sales@magnetimarelli.com  
http://www.magnetimarelli.com

February 2010  
rel. 10  
page 2 of 2