

TGE 426 R

Racing wiper motor
130° swept angle

Description

Hi-torque version of TGE 426.

Increased motor torque allows use of higher pressure wiper blade springs.

Main Features

- Rewound rotor to maximize motor torque
- High swing rate
- Mating connector supplied with motor
- Cable exit option available on demand
- Intermittence operation possible

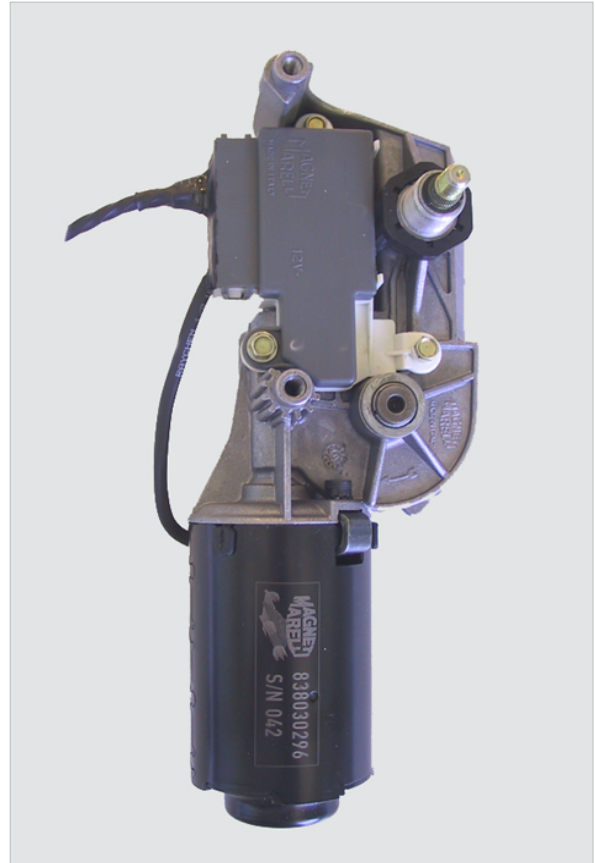
Benefits

- Adjustable rest position
- Adjustable swept angle (130° max)

Typical Applications

Touring car

Professional circuit and rally applications

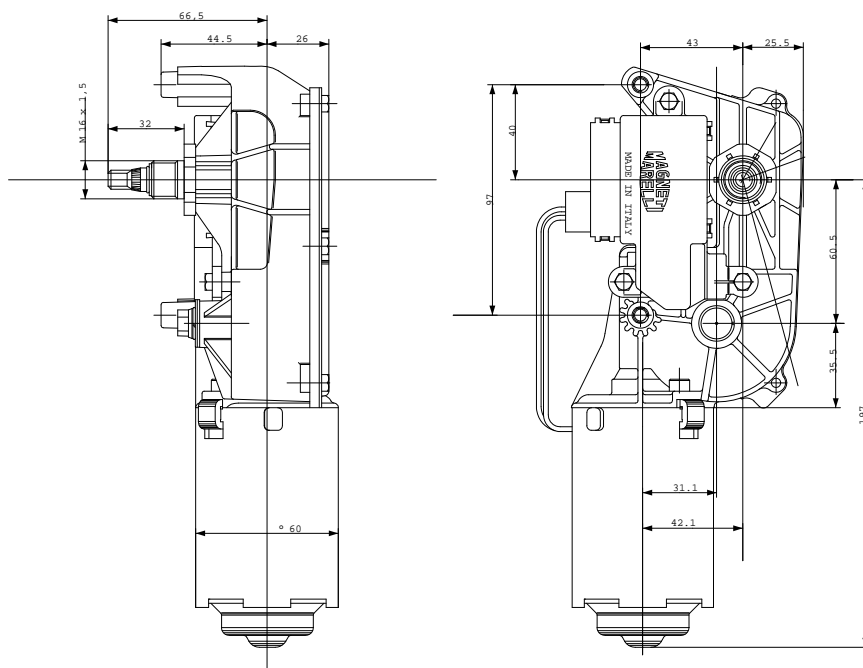


MOTORS

TGE 426 R

Racing wiper motor
130° swept angle

Dimensions



Dimensions in millimetres

Technical Characteristics

Swings on wet glass	80 min ⁻¹
Swept angle	130 °
Absorption on wet glass.....	< 3.2 A
Intermittence frequency	15 min ⁻¹
Weight.....	1.45 kg

For further information, please contact:



Magneti Marelli S.p.A.
Motorsport
Viale Aldo Borletti, 61/63
20011 Corbetta (Milano) Italy

Tel. +39 02 972 27 478
Fax +39 02 972 27 570
sales@magnetimarelli.com
<http://www.magnetimarelli.com>

March 2009
rel. 07
page 2 of 2