

LPT 50-175

Linear potentiometer

Measurement range 50-175

Description

The LPT 50-175 series, with a measurement range from 50 to 175 mm, is a family of linear potentiometer designed for racing and automotive applications.

The potentiometer is made of aluminum alloy and stainless steel, with Raychem FDR type 55 - 22AWG cable.

Resistant to high temperature, fire, chemical, LPT 50-175 is particularly suited in the harsh automotive environment.

The user can adjust the cable length (max 1 m) for his application and this can be done contacting the company.

Main Features

- Resistant to high temperatures, fire and chemical
- Cable length to customer requirements
- Constructed from aluminum alloy and stainless steel
- High strength and durability

Benefits

- Wide application range
- Lightweight design
- High reliability
- Designed for rugged applications



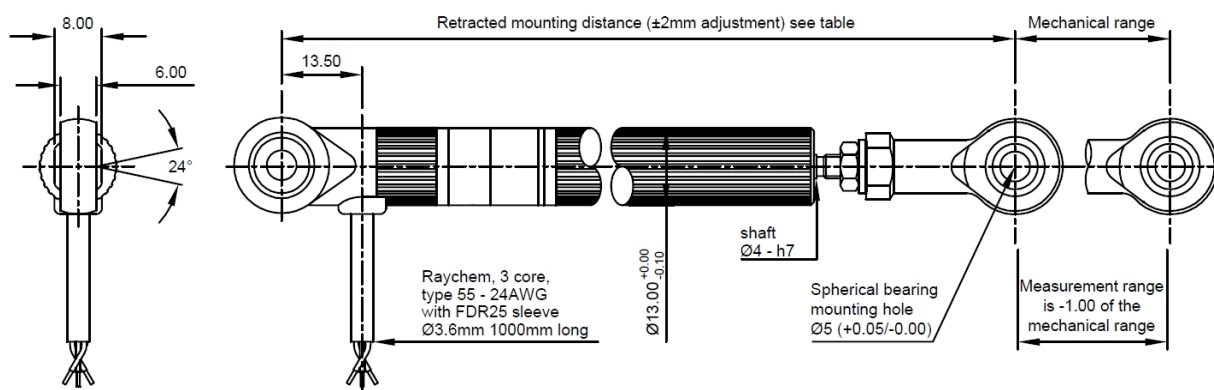
Typical Applications

Linear travel measurement (e.g. suspension travel measurement)

LPT 50-175

Linear potentiometer
Measurement range 50-175

Dimensions



Dimensions in millimetres

Technical Characteristics

- Operating temperature range..... -30 to 125 °C
- Insulation resistance @ 500 Vdc > 100 MΩ
- Mechanical range..... Measurement range + 1 mm
- Shaft velocity..... < 1000 mm/s
- Protection class..... IP 66
- Sealing..... "O" ring and shaft lip seal
- Cable length (*)..... 1 m
- (*) Different lengths are available on customer request

Connector Pin Out

Wire colour table	
Red	Supply voltage
Black	GND
White	Signal

Measurement range table

Linear Potentiometer	LPT 50	LPT 75	LPT 100	LPT 125	LPT 150	LPT 175	
Measurement range (± 0.5 mm)	50	75	100	125	150	175	mm
Nominal resistance (± 10 %)	2	3	4	5	6	7	kΩ
Applied Voltage	< 45	< 65	< 90	< 110	< 130	< 130	V
Wiper load	> 500	> 500	> 500	> 500	> 600	> 700	kΩ
Non linearity	<± 0.25	<± 0.15	<± 0.15	<± 0.15	<± 0.15	<± 0.15	% f.s.
Retracted mounting distance	148	173	198	223	248	273	mm
Weight (approx)	66	73	78	85	90	96	g

For further information, please contact:



Magneti Marelli S.p.A.
Motorsport
Viale Aldo Borletti, 61/63
20011 Corbetta (Milano) Italy

Tel. +39 02 972 27 478
Fax +39 02 972 27 570
sales@magnetimarelli.com
http://www.magnetimarelli.com

January 2010
rel. 04
page 2 of 2