

NTC M8

10 k Ω Air-fluid temperature sensor

Description

A cost effective miniature sensor designed for fast response temperature measurement.

Suitable for air, water, oil & fuel temperature measurement.

Main Features

- Brass housing for cost reduction
- Splash resistant to standard motorsport fluids
- Miniature tip
- High strength MFA coated leads

Benefits

- Cost effective solution
- High signal level
- Small dimensions
- Low weight



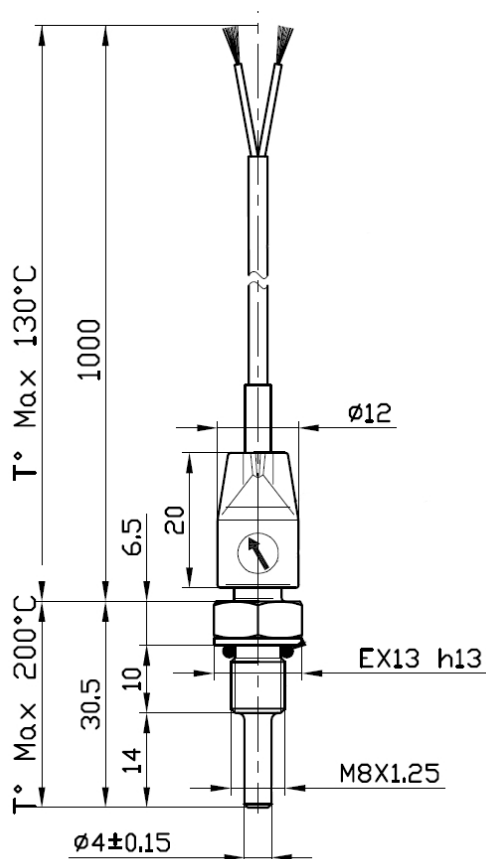
Typical Applications

Racing engines

NTC M8

10 kΩ Air-fluid temperature sensor

Dimensions



Dimensions in millimetres

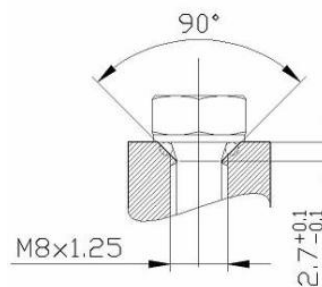
Technical Characteristics

Typical applicationAir, oil, water and fuel temp.
 Temperature range-20 to 200 °C
 Protection class..... IP 65
 Cable n°2 AWG 22
 OR Material..... Viton
 Weight (with cable) 26 g

Temperature resistance table

[°C]	[Ohm]	[°C]	[Ohm]
-40	200460.6	85	1451.2
-35	152692.3	90	1269.2
-30	117165.8	95	1114
-25	90564.5	100	981
-20	70509.8	105	866.7
-15	55286.9	110	768.1
-10	43653.1	115	682.9
-5	34702.3	120	608.8
0	27770	125	544.3
5	22366.1	130	488
10	18126.9	135	438.7
15	14780.5	140	395.4
20	12123	145	357.2
25	10000	150	323.5
30	8294.3	155	293.6
35	6916.3	160	267.1
40	5796.9	165	243.6
45	4882.9	170	222.5
50	4132.8	175	203.7
55	3514.1	180	186.9
60	3001.5	185	171.8
65	2574.7	190	158.2
70	2217.8	195	145.9
75	1918	200	134.8
80	1665.2		

Suggested housing



For further information, please contact:

NTC M8-083813295103



Magneti Marelli S.p.A.
 Motorsport
 Viale Aldo Borletti, 61/63
 20011 Corbetta (Milano) Italy

Tel. +39 02 972 27 478
 Fax +39 02 972 27 570
 sales@magnetimarelli.com
 http://www.magnetimarelli.com

January 2010
 rel. 01
 page 2 of 2