

## RPT98

98° Rotary position transducer

### Description

---

High precision rotary throttle potentiometer.

### Main Features

---

- Reinforced plastic housing
- Slots for adjustable position
- DR25 jacket and military connectors available with cable length to customer requirements
- Available with two connector types (see Connector Pin Out )

### Benefits

---

- Raw parts available in stock
- High precision

### Typical Applications

---

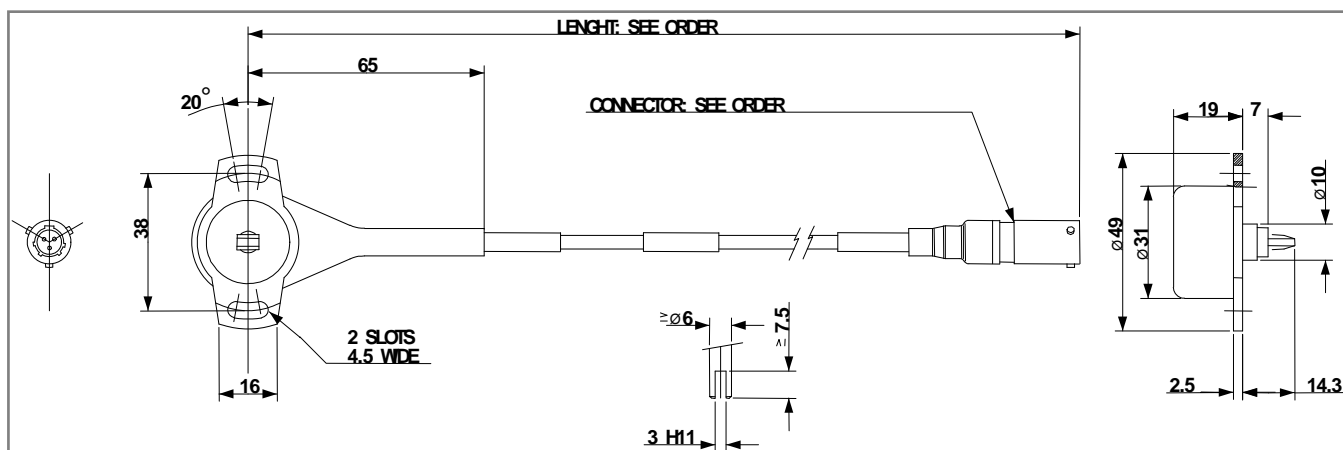
Throttle position sensing in racing engines



# RPT98

98° Rotary position transducer

## Dimensions



Dimensions in millimetres

## Technical Characteristics

Typical application ..... Throttle position  
 Operating temperature  
     potentiometer..... -40 to 150 °C  
     connector..... -10 to 125 °C  
 Resistance ..... 3 kΩ  
 Linearity (typ.)..... ± 0.5 % f.s.  
 Electrical angle..... 98°  
 Weight..... 70 g

## Connector Pin Out

| PIN | SJT 00 RT 8-98 P | KPSE-6E8-33P-DN |
|-----|------------------|-----------------|
| A   | + 5V             | + 5V            |
| B   | Signal           | GND             |
| C   | GND              | Signal          |

For further information, please contact:



**Magneti Marelli Holding S.p.A.**  
 Motorsport  
 Viale Aldo Borletti, 61/63  
 20011 Corbetta (Milano) Italy

Tel. +39 02 972 27 478  
 Fax +39 02 972 27 570  
 sales@magnetimarelli.com  
 http://www.magnetimarelli.com

November 2007  
 rel. 05  
 page 2 of 2