

## SEN 8D-8K

Ø 15 mm VR revolution sensor

### Description

---

A cost effective VR sensor for speed detection of toothed wheels.

### Main Features

---

- Case in PA 6.6 GFR, manufactured in silicone sleeving for operation in automotive environment
- High electrical signal level

### Benefits

---

- Available in stock
- Low cost

### Typical Applications

---

Racing engines crank and camshaft speed-position sensing



### Option

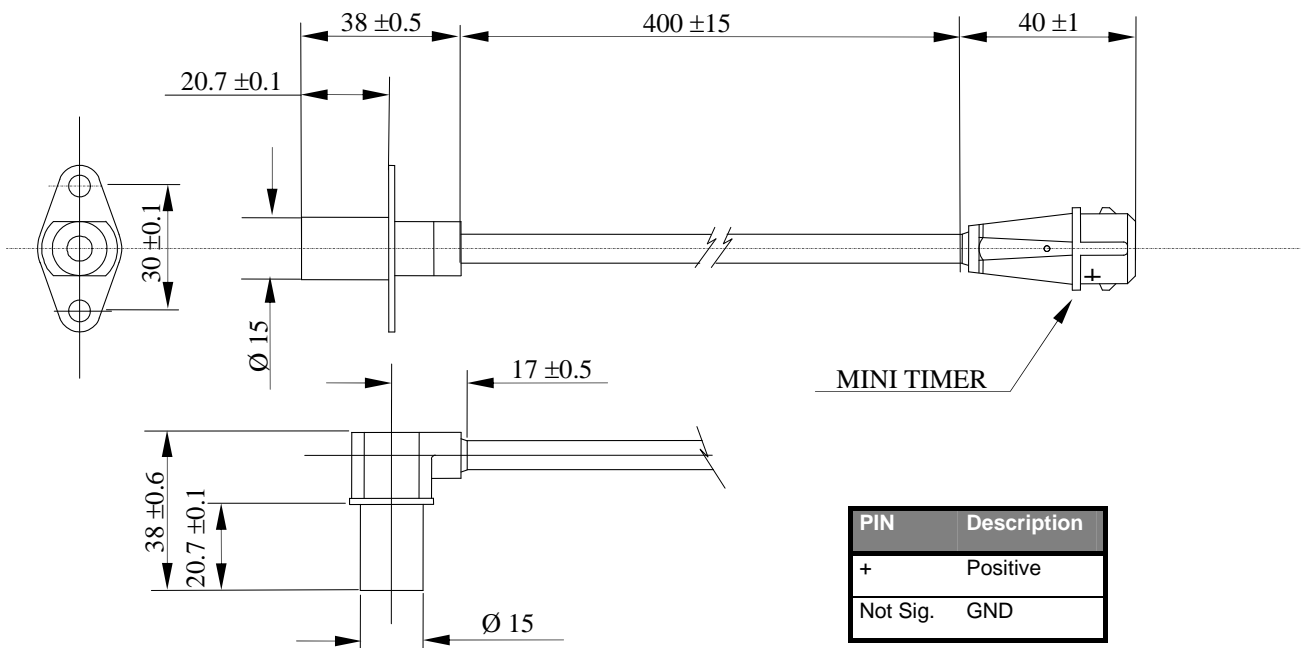
---

SEN 8K (90° cable exit) available

# SEN 8D-8K

Ø 15 mm VR revolution sensor

## Dimensions

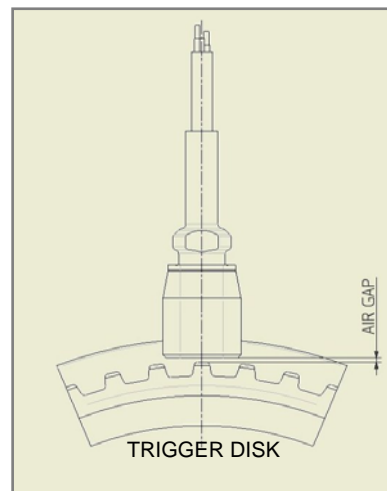


Dimensions in millimetres

## Technical Characteristics

- Typical application .....Crank, Cam, Wheel
- Max. operating temperature..... 125 °C
- Air gap..... 0.5 to 1 mm
- Speed range ..... 40 to 12000 rpm
- Output @ 40 rpm (peak to peak) ..... > 400 mV
- Weight..... 60 g

## Application Schematics



For further information, please contact:

**MAGNETI MARELLI** Motorsport  
 Viale Aldo Borletti, 61/63  
 20011 Corbetta (Milano) Italy

Tel. +39 02 972 27 478  
 Fax +39 02 972 27 570  
 sales@magnetimarelli.com  
 http://www.magnetimarelli.com

October 2007  
 rel. 06  
 page 2 of 2