

# UEGO

Linear oxygen sensor

## Description

Proportional oxygen sensor compatible with controllers built-in most Magneti Marelli ECUs for accurate reading of mixture.

Contact the factory for matching ECUs and/or for stand alone controllers and loom.

Version with special heat resistant sleeves and military connectors are available on request.

## Main Features

- High signal level
- Calibrated for rich mixtures typical of racing engines

## Benefits

- Available in stock - short delivery time

## Typical Applications

Racing engines



## Typical Performance

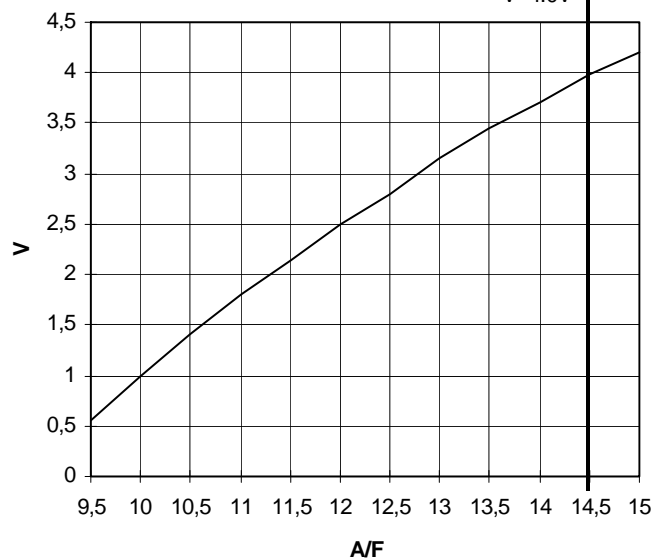
### Typical A/F - Vout

LZA03-E1 + TC6110D

Lambda=1

A/F=14.57

V=4.0V



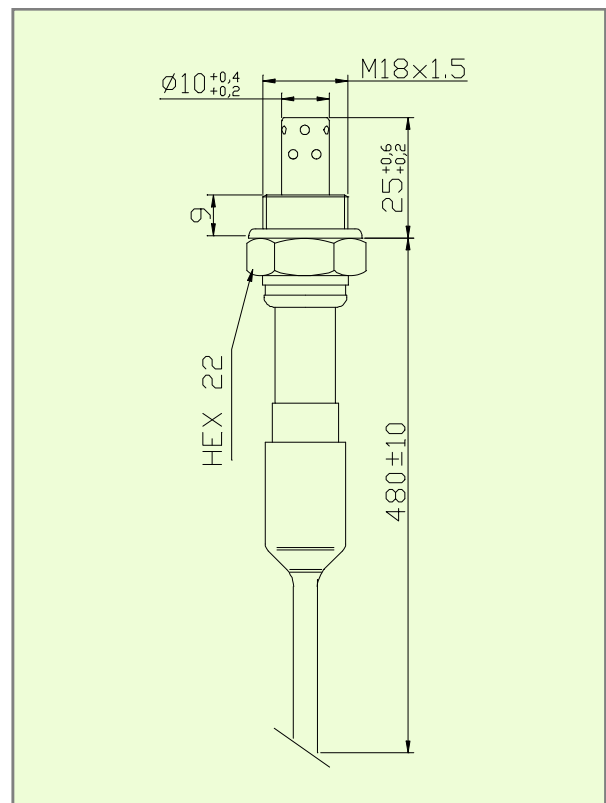
# UEGO

Linear oxygen sensor

## Technical Characteristics

Sensor element tip temperature. .... 750 to 950 °C  
 Connector temperature ..... 120 °C  
 Storage temperature range ..... -40 to 100 °C  
 Weight ..... 100 g

## Dimensions



Dimensions in millimetres

For further information, please contact:



**Magneti Marelli Holding S.p.A.**  
 Motorsport  
 Viale Aldo Borletti, 61/63  
 20011 Corbetta (Milano) Italy

Tel. +39 02 972 27 478  
 Fax +39 02 972 27 570  
 sales@magnetimarelli.com  
 http://www.magnetimarelli.com

October 2007  
 rel. 05  
 page 2 of 2