

W1051

100° Contactless rotary position transducer

Description

Contactless counterclockwise rotary position sensor.

Main Features

- Contactless technology
- Low weight sensor
- High temperature range

Benefits

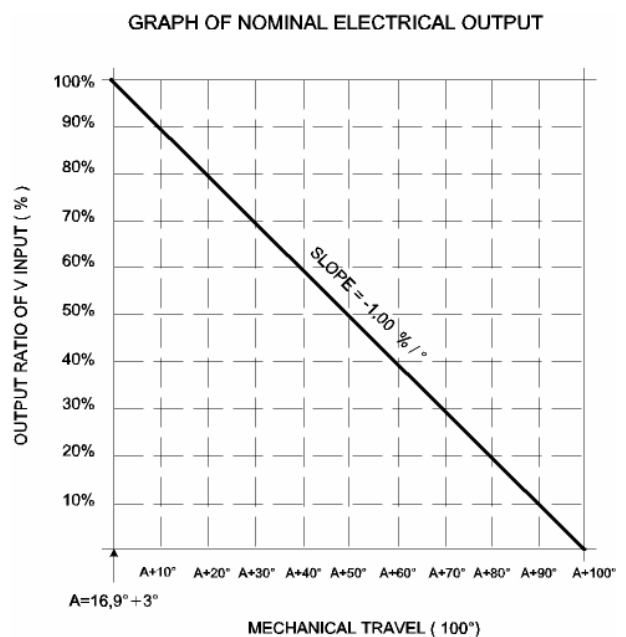
- No contact wear
- High precision

Typical Applications

Throttle, pedal, clutch position sensing in racing engines and vehicle



Typical Performance



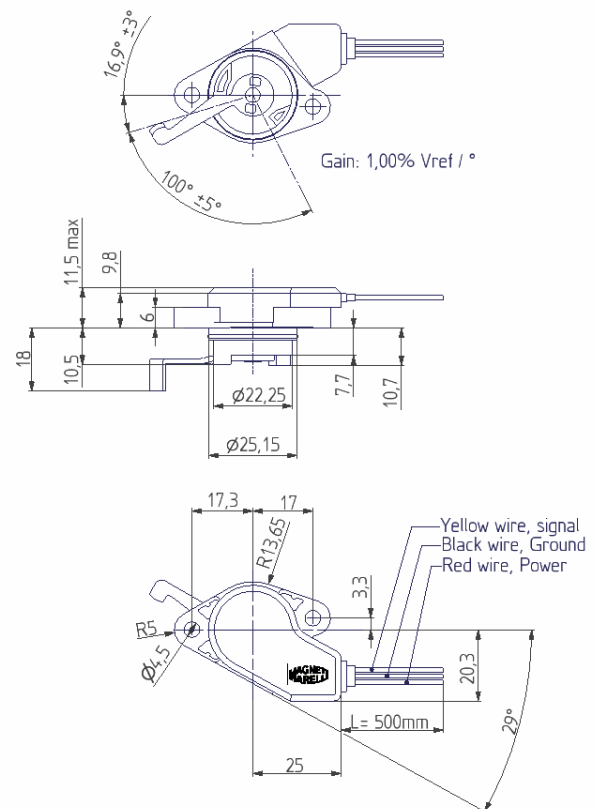
W1051

100° Contactless rotary position transducer

Technical Characteristics

- Typical application Throttle and pedal position
- Power supply
 - normal working range $5 \pm 10\%$ V
 - reverse voltage protection -14.5 V
- Operating temperature
 - functional -40 to 150 °C
- Spring return torque
 - minimum return..... 20-50 mN·m
 - maximum wind up..... 160 mN·m
- Vibration range tested (60 Hz to 1500 Hz) 15 g
- Protection class..... IP 67
- Linearity (typ.) $\pm 1.5\%$ f.s.
- Electrical angle..... 100°
- Weight..... 40 g

Dimensions



Dimensions in millimetres

For further information, please contact:



Magneti Marelli Holding S.p.A.
 Motorsport
 Viale Aldo Borletti, 61/63
 20011 Corbetta (Milano) Italy

Tel. +39 02 972 27 478
 Fax +39 02 972 27 570
 sales@magnetimarelli.com
 http://www.magnetimarelli.com

October 2007
 rel. 05
 page 2 of 2